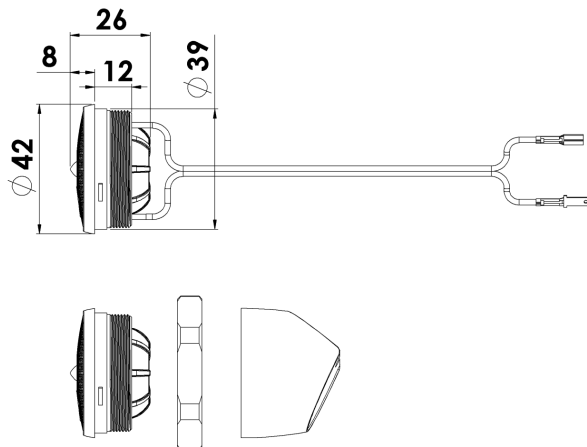




TWEETER

R1904/613001

The Discovery series offer traditional design, superior sound, a solid construction, and a wide range of variants. Combining these elements - plus a wealth of technical features and finesses - it gives our customers the possibility of acquiring a tailor-made Scan-Speak solution with very good performance at a reasonable low price point!



KEY FEATURES:

- 3/4" Ring Dome tweeter
- Compact mounting dimensions
- Flange and Nut for doorpanel mounting
- Optimized for Car use
- Wedge House for dashboard mounting

T-S Parameters

| | |
|-------------------------------|---------------------|
| Resonance frequency [fs] | 1000 Hz |
| Mechanical Q factor [Qms] | 8.03 |
| Electrical Q factor [Qes] | 2.02 |
| Total Q factor [Qts] | 1.61 |
| Force factor [Bl] | 1.4 Tm |
| Mechanical resistance [Rms] | 0.18 kg/s |
| Moving mass [Mms] | 0.23 g |
| Suspension compliance [Cms] | 0.11 mm/N |
| Effective diaph. diameter [D] | 1.1 mm |
| Effective piston area [Sd] | 3.8 cm ² |
| Equivalent volume [Vas] | 0.002 l |
| Sensitivity (2.83V/1m) | 87.0 dB |
| Ratio Bl/√Re | 0.85 N/√W |
| Ratio fs/Qts | 620 Hz |

Notes:

IEC specs. refer to IEC 60268-5 third edition.
All Scan-Speak products are RoHS compliant.
Data are subject to change without notice.
Datasheet updated: February 22, 2011.

Electrical Data

| | |
|----------------------------|---------|
| Nominal impedance [Zn] | 4 Ω |
| Minimum impedance [Zmin] | 3.3 Ω |
| Maximum impedance [Zo] | 13.4 Ω |
| DC resistance [Re] | 2.7 Ω |
| Voice coil inductance [Le] | 0.02 mH |

Power Handling

| | |
|---------------------------------|------|
| 100h RMS noise test (IEC 17.1)* | 40 W |
| Long-term max power (IEC 17.3)* | - W |

*Filter: 2. order HP Butterworth, 3 kHz

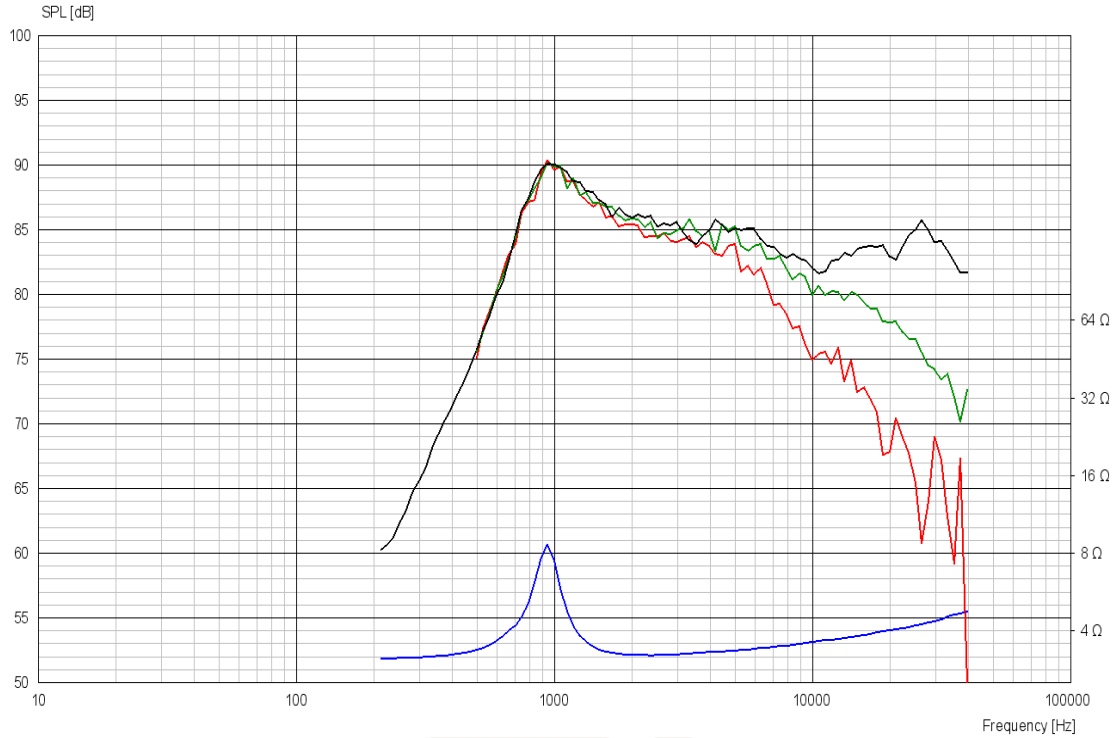
Voice Coil and Magnet Data

| | |
|---------------------|----------|
| Voice coil diameter | 19 mm |
| Voice coil height | 1.8 mm |
| Voice coil layers | 2 |
| Height of gap | 2 mm |
| Linear excursion | ± 0.1 mm |
| Max mech. excursion | ± 1.6 mm |
| Unit weight | 0.05 kg |

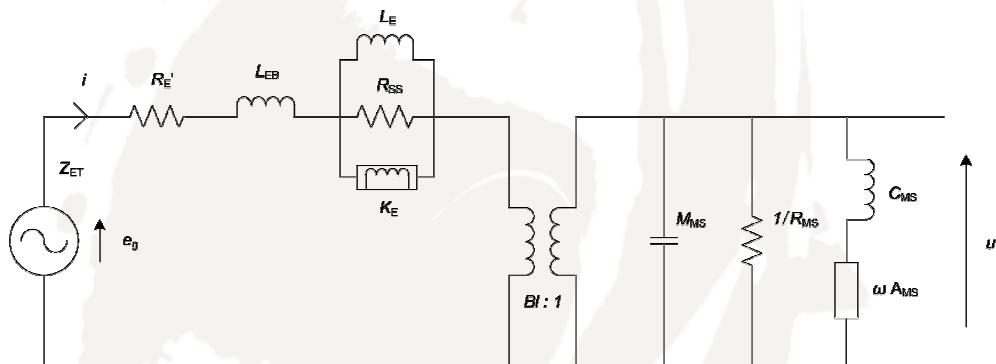


TWEETER

R1904/613001



Advanced Parameters (Preliminary)



Electrical data:

| | |
|------------------------|------|
| Resistance [Re'] | - Ω |
| Free inductance [Leb] | - mH |
| Bound inductance [Le] | - mH |
| Semi-inductance [Ke] | - SH |
| Shunt resistance [Rss] | - Ω |

Mechanical Data

| | |
|-----------------------------|--------|
| Force Factor [Bl] | - Tm |
| Moving mass [Mms] | - g |
| Compliance [Cms] | - mm/N |
| Mechanical resistance [Rms] | - kg/s |
| Admittance [Ams] | - mm/N |