

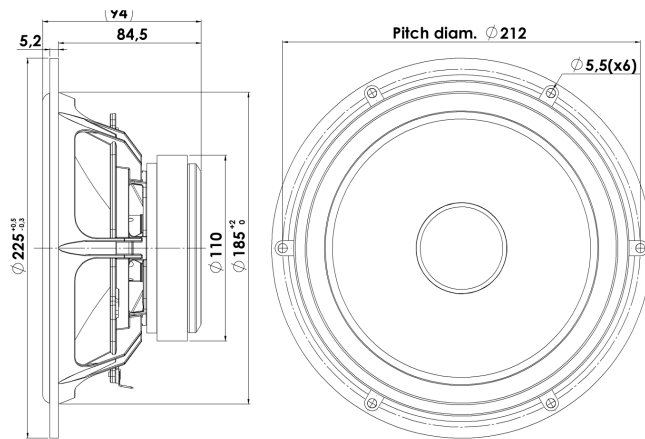


# DISCOVERY

## WOOFER

## 22W/4534G00

The Discovery series offer traditional design, superior sound, a solid construction, and a wide range of variants. Combining these elements - plus a wealth of technical features and finesses - it gives our customers the possibility of acquiring a tailor-made Scan-Speak solution with very good performance at a reasonable low price point!



### KEY FEATURES:

- High Output 92,5dB @ 2,83V
- Coated NRSC Fibre Glass Cone
- Low Damping SBR Rubber Surround
- Low Resonance Freq. 30Hz
- Magnet System w. Alu Ring
- Die cast Alu Chassis vented below spider

#### T-S Parameters

Resonance frequency [fs]	30 Hz
Mechanical Q factor [Qms]	3.70
Electrical Q factor [Qes]	0.37
Total Q factor [Qts]	0.34
Force factor [Bl]	6 Tm
Mechanical resistance [Rms]	1.19 kg/s
Moving mass [Mms]	23.7 g
Suspension compliance [Cms]	1.23 mm/N
Effective diaph. diameter [D]	173 mm
Effective piston area [Sd]	235 cm <sup>2</sup>
Equivalent volume [Vas]	95.0 l
Sensitivity (2.83V/1m)	92.4 dB
Ratio Bl/√Re	3.46 N/√W
Ratio fs/Qts	88 Hz

#### Notes:

IEC specs. refer to IEC 60268-5 third edition.  
All Scan-Speak products are RoHS compliant.  
Data are subject to change without notice.  
Datasheet updated: February 22, 2011.

#### Electrical Data

Nominal impedance [Zn]	4 Ω
Minimum impedance [Zmin]	3.7 Ω
Maximum impedance [Zo]	33.0 Ω
DC resistance [Re]	3 Ω
Voice coil inductance [Le]	0.33 mH

#### Power Handling

100h RMS noise test (IEC 17.1)	70 W
Long-term max power (IEC 17.3)	120 W

#### Voice Coil and Magnet Data

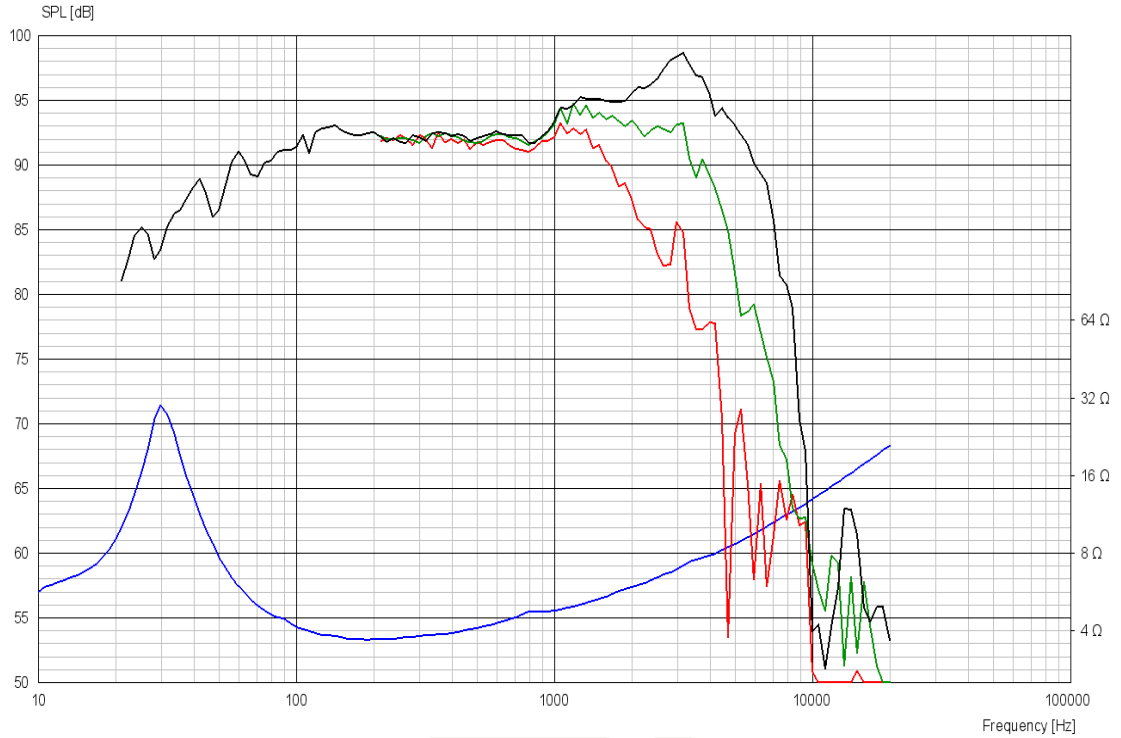
Voice coil diameter	38 mm
Voice coil height	17.3 mm
Voice coil layers	2
Height of gap	6 mm
Linear excursion	± 5.7 mm
Max mech. excursion	± 12 mm
Unit weight	2.1 kg



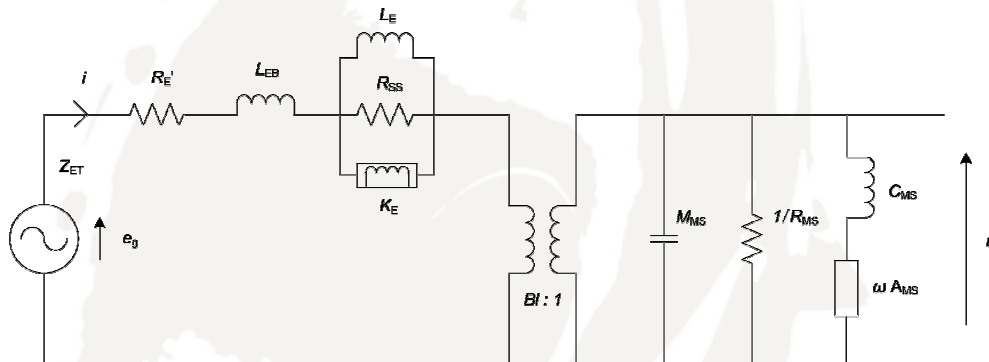


# WOOFER

# 22W/4534G00



## Advanced Parameters (Preliminary)



### Electrical data:

Resistance [ $R_{E'}$ ]	3.67 $\Omega$
Free inductance [ $L_{EB}$ ]	0.0886 mH
Bound inductance [ $L_E$ ]	0.652 mH
Semi-inductance [ $K_E$ ]	0.0174 SH
Shunt resistance [ $R_{SS}$ ]	2289 $\Omega$

### Mechanical Data

Force Factor [ $BI$ ]	4.98 Tm
Moving mass [ $M_{MS}$ ]	18.4 g
Compliance [ $C_{MS}$ ]	0.966 mm/N
Mechanical resistance [ $R_{MS}$ ]	0.062 kg/s
Admittance [ $A_{MS}$ ]	0.116 mm/N