

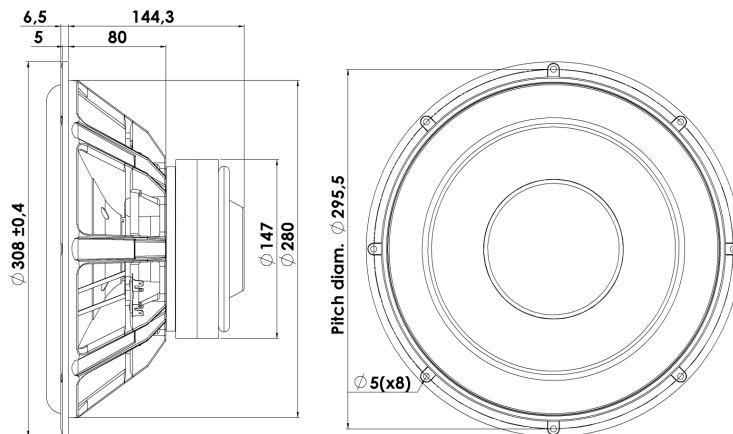


# DISCOVERY

## SUBWOOFER

## 30W/4558T00

The Discovery series offer traditional design, superior sound, a solid construction, and a wide range of variants. Combining these elements - plus a wealth of technical features and finesses - it gives our customers the possibility of acquiring a tailor-made Scan-Speak solution with very good performance at a reasonable low price point!



### KEY FEATURES:

- 56mm Peak Excursion, 25mm Linear
- Low Resonance Freq. 17Hz
- Magnet System w. Alu Ring
- High Output 89dB @ 2,83V
- Anodized Alu Cone, Fibre Glass Dust Cap
- Die cast Alu Chassis vented below spider

#### T-S Parameters

Resonance frequency [fs]	17 Hz
Mechanical Q factor [Qms]	5.01
Electrical Q factor [Qes]	0.34
Total Q factor [Qts]	0.32
Force factor [Bl]	10.5 Tm
Mechanical resistance [Rms]	2.88 kg/s
Moving mass [Mms]	135 g
Suspension compliance [Cms]	0.65 mm/N
Effective diaph. diameter [D]	244 mm
Effective piston area [Sd]	466 cm <sup>2</sup>
Equivalent volume [Vas]	197 l
Sensitivity (2.83V/1m)	89 dB
Ratio Bl/√Re	6.51 N/√W
Ratio fs/Qts	53 Hz

#### Notes:

IEC specs. refer to IEC 60268-5 third edition.  
All Scan-Speak products are RoHS compliant.  
Data are subject to change without notice.  
Datasheet updated: February 22, 2011.

#### Electrical Data

Nominal impedance [Zn]	4 Ω
Minimum impedance [Zmin]	3.3 Ω
Maximum impedance [Zo]	40.9 Ω
DC resistance [Re]	2.6 Ω
Voice coil inductance [Le]	0.83 mH

#### Power Handling

100h RMS noise test (IEC 17.1)	150 W
Long-term max power (IEC 17.3)	350 W

#### Voice Coil and Magnet Data

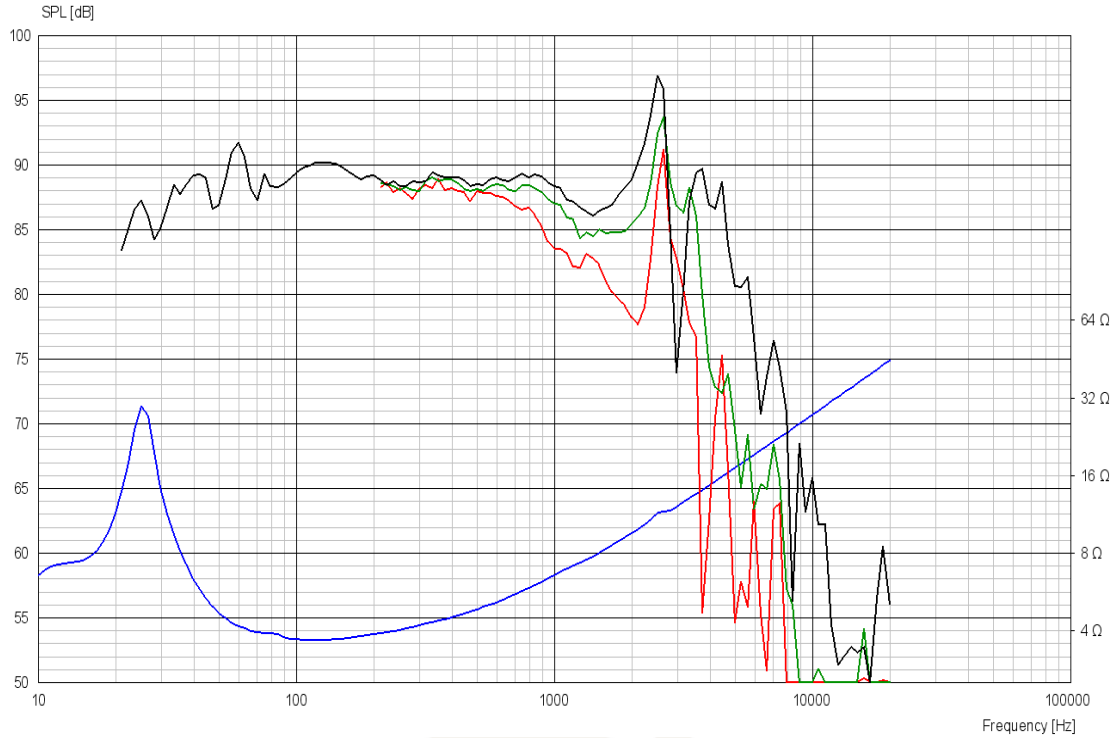
Voice coil diameter	51 mm
Voice coil height	33 mm
Voice coil layers	4
Height of gap	8 mm
Linear excursion	± 12.5 mm
Max mech. excursion	± 28 mm
Unit weight	6.3 kg

# SCANSPEAK

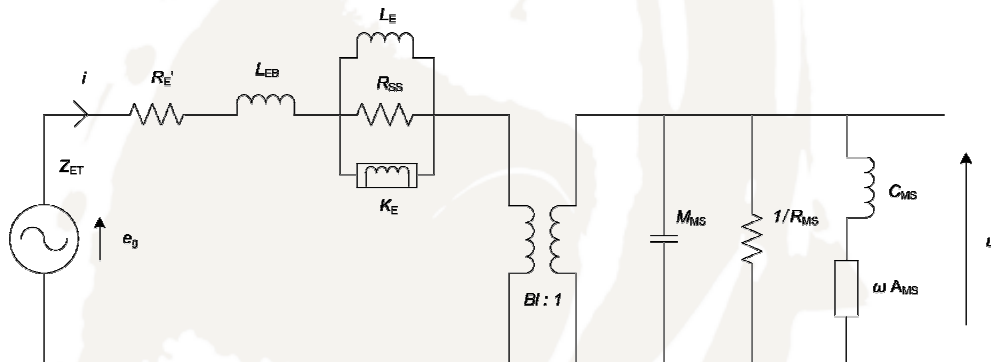


# SUBWOOFER

# 30W/4558T00



## Advanced Parameters (Preliminary)



### Electrical data:

Resistance [Re']	3.00 Ω
Free inductance [Leb]	0.153 mH
Bound inductance [Le]	1.13 mH
Semi-inductance [Ke]	0.0782 SH
Shunt resistance [Rss]	6889 Ω

### Mechanical Data

Force Factor [Bl]	9.75 Tm
Moving mass [Mms]	135 g
Compliance [Cms]	0.598 mm/N
Mechanical resistance [Rms]	0.160 kg/s
Admittance [Ams]	0.0965 mm/N