

Model No: SDS-P830657
Product Line: Peerless

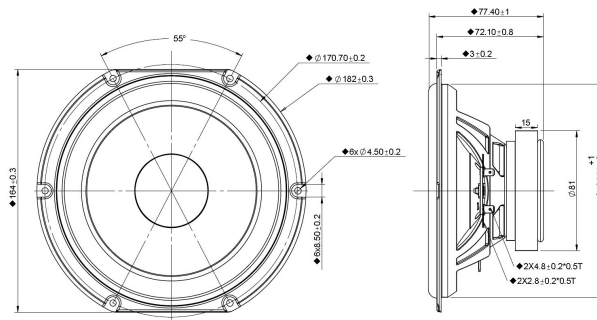
Rev: 1.0
Last Update: 2017-01-04 23:20:43

Product Description

The SDS compact subwoofer family offers low resonant frequency performance, ideally suited for compact sealed enclosures. This 6.5 inch 8 ohm member of the SDS family offer a coated paper cone with rubber surround, a high power voice coil suspended in a ferrite magnet motor, and a narrow-profile steel basket, shaped to fit into narrow cabinets.



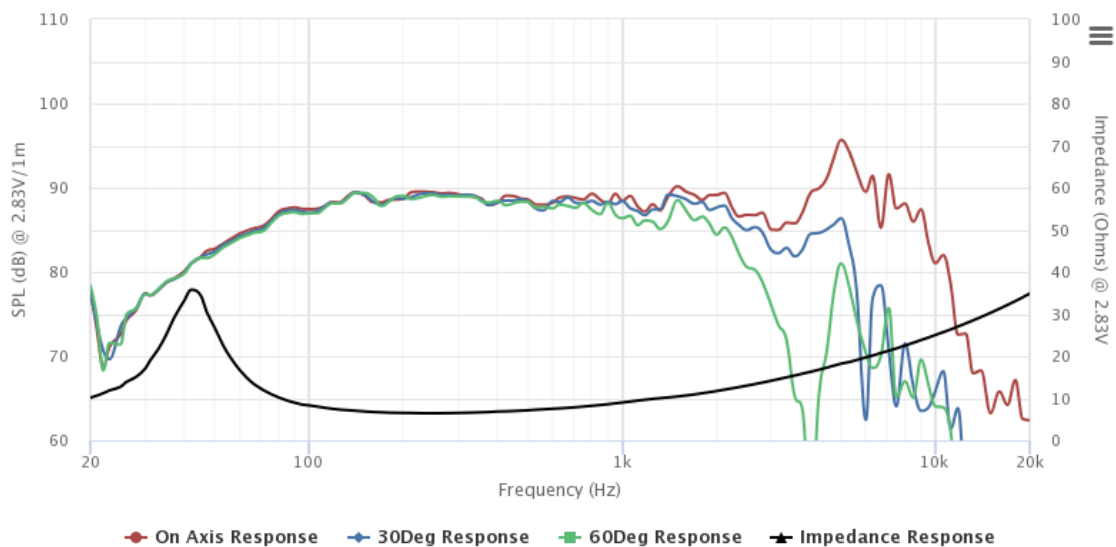
Mechanical Drawing



Specifications

DC Resistance	Revc	Ohms	6.05	5.0%	Energy Bandwidth Product	EBP	(1/Qes)*fs
Minimum Impedance	Zmin	Ohms	6.44	7.5%	Moving Mass	Mms	g
Voice Coil Inductance	Le	mH	0.38		Suspension Compliance	Cms	um/N
Resonant Frequency	Fs	Hz	44.75	15%	Effective Cone diameter	D	cm
Mechanical Q Factor	Qms		2.74		Effective Piston Area	Sd	cm^2
Electrical Q Factor	Qes	0.55			Effective Volume	Vas	L
Total Q Factor	Qts	0.46			Motor Force Factor	BL	Tm
Ratio Fs/Qts	F	Fs/Qts	98.35		Motor Efficiency Factor	β	(T*M^2)/Ohms
Half Space Sensitivity @2.83V	db@2.83V/1M	dB	89.46	+/- 1.0db	Voice coil former Material	VCfm	ASV
Half Space Sensitivity @1W/1M	db@1W/1M	dB	88.5	+/- 1.0db	Voice coil inner diameter	VCd	mm
Gap Height	Gh	mm	6		Rated Noise Power	P	W
Maximum Linear Excursion	Xmax	mm	3.5		Test Spectrum Bandwidth		40Hz - 4kHz
Ferrofluid Type	FF				Driver Size	Inch	6 in
Driver Mass	Kg	0.84					

Frequency and Impedance Response



Highcharts.com